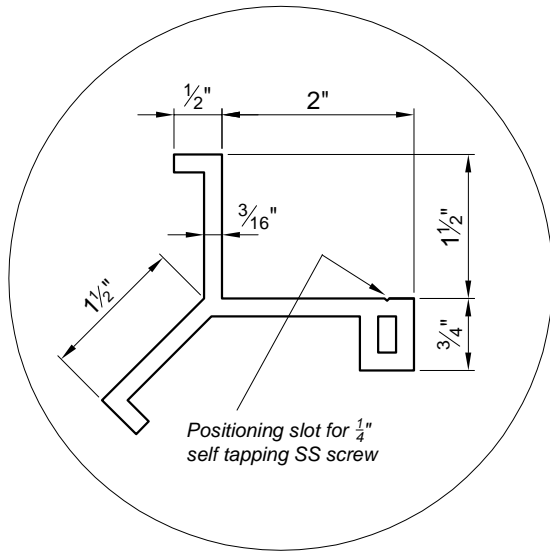


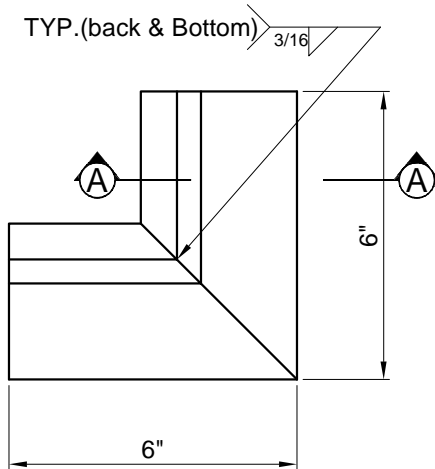
EXTRUDED ANGLE - STANDARD SIZE



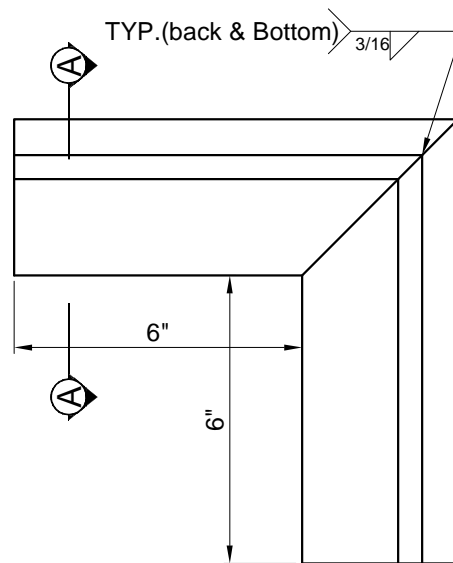
SECTION A-A

Notes:
 Major advantage of this frame is Grating Saddle Clips can be bolted to frame without drilling into concrete by inserting a self tapping screw in the positioning slot and screwing clip down. Clips can be removed and new screws can be installed anywhere along the positioning slot.

Grating frame is made of 6061-T6 aluminum



EXTERNAL CORNER



INTERNAL CORNER

C & C Metals, Inc.

2523 Northline Road, Conroe, Texas 77384
 Phone (281) 907-0005 Fax (281) 907-0462
 CCMETALS@HOUSTON.RR.COM

1-1/2" Grating Embed Frame

DETAILS NAME Embed Angle
 External & Internal
 corner 1-1/2"

PIECE MARK

DETAIL #

0010